

ProRin[®] BR

Modular aluminium balcony gutter and associated connectors for Gutjahr external systems.

DESCRIPTION

Aluminium powder-coated balcony gutter system which forms part of the Gutjahr external tiling systems from BAL. For full installation advice and technical drawings please see our BAL Part A Technical Design Guide or contact the BAL TECHNICAL ADVISORY AND SPECIFICATION SERVICE .

Product Properties and Benefits

- Easy to install by simply fitting into the profile support of the ProFin[®] DP profiles.
- No soldering, no gluing, no welding thanks to intelligent connection technology.
- Compact system for narrow railings.
- Can be combined with all Gutjahr profiles.
- Durable and damage-free, as the gutter connections serve as expansion joint zones.

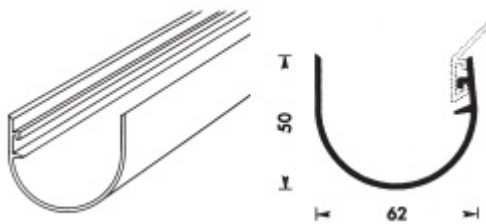
PRODUCT INFORMATION

Composition: ProRin[®] BR and connectors are constructed from power coated aluminium.

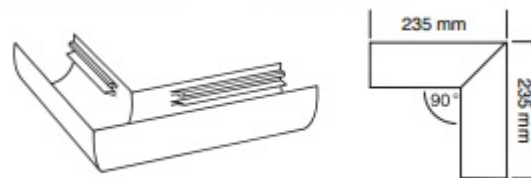
Colour: Alumetallic. Other colours available on request.

Size: 1 length = 3m. 1 corner unit = 235 mm x 235 mm
Channel connector: 65 mm.

ProRin[®] BR Balkonrinne



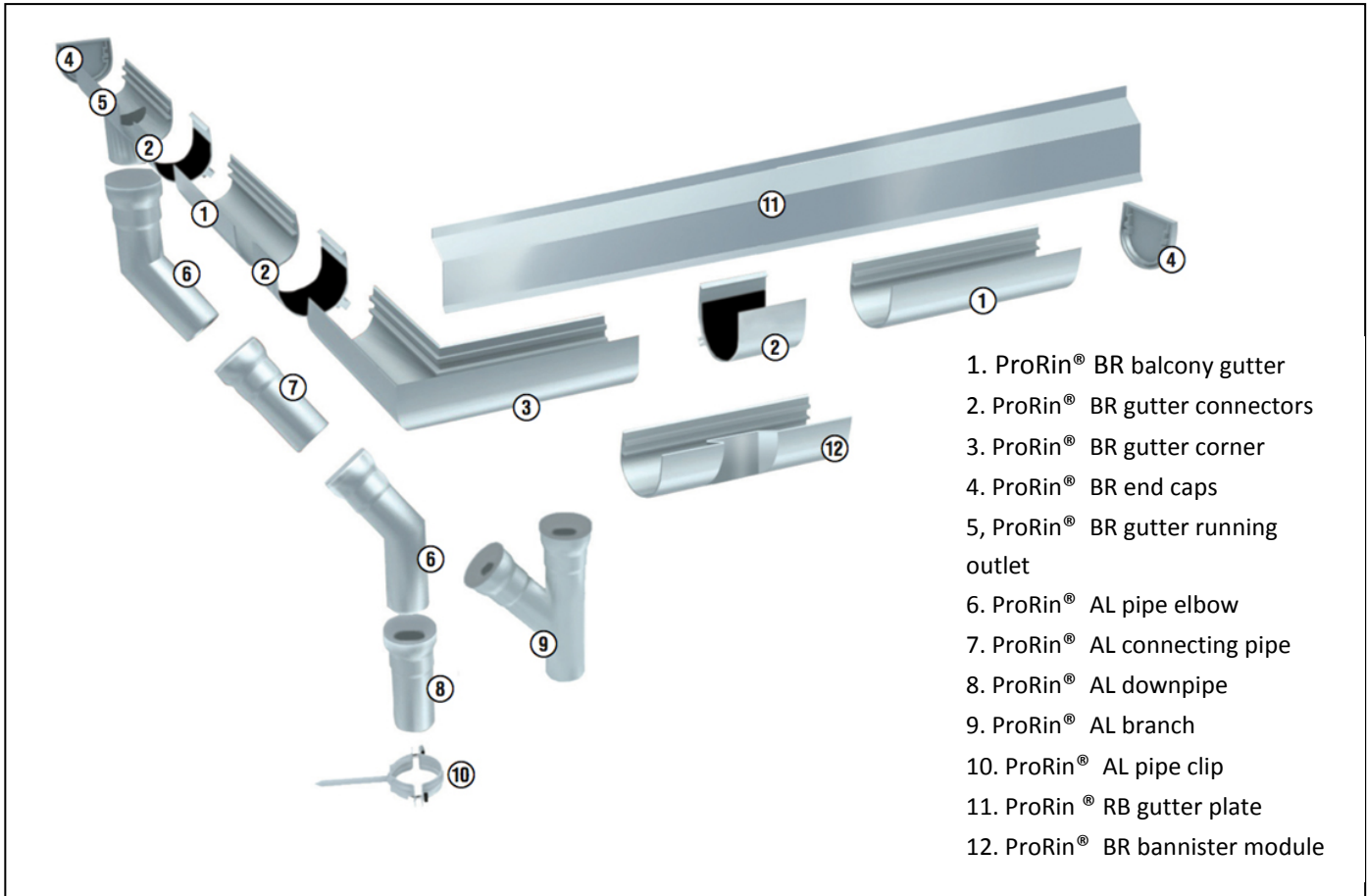
ProRin[®] BR Corner 90°



ProRin[®] BR Inside Corner 90°



CONNECTING THE SYSTEM



1. ProRin® BR balcony gutter
2. ProRin® BR gutter connectors
3. ProRin® BR gutter corner
4. ProRin® BR end caps
5. ProRin® BR gutter running outlet
6. ProRin® AL pipe elbow
7. ProRin® AL connecting pipe
8. ProRin® AL downpipe
9. ProRin® AL branch
10. ProRin® AL pipe clip
11. ProRin® RB gutter plate
12. ProRin® BR bannister module

INSTALLATION INSTRUCTIONS

1. Start by clipping on the guttering corners to the terrace or balcony edge ProFin® DP profile. Guttering can be cut to size using a circular saw.

2. Connect the ProRin® guttering directly to the edge profile.

3. Secure using the small plastic spacers provided.

4. Leave approximately 5 mm-8 mm expansion joints between guttering parts.

5. Connect the individual elements of the guttering system using the clips provided.

6. Use a multi-purpose adhesive to secure the end caps and connecting plates in position.

7. To create a sloping gutter to the existing downpipe, firstly insert the metal connector into the gutter channel.

8. Now connect the outside corner trough (without downpipe) and lock on one side. Where the slope is to be incorporated, ensure the channel is not locked in place and is left hanging.

9. For the balcony side where the guttering will connect to a downpipe, preassembly the ProRin® gutter drainage element with the trough.

10. To create the pitch screw the metal bracket into place, and adjust to create the pitch you require.

11. Mount the gutter and trough onto the bracket and secure with the provided plastic spacers.

12. Then adjust the gradient using the gutter bracket.

13. Apply multi-purpose adhesive strips onto the edge profile every 10-15 mm.

14. Attach the ProRin® GB slope facing plate to the drain end profile and press into the adhesive strips. Cut to size if necessary before applying.

15. Connect any downpipes and/or elbows as required to complete drainage.

TECHNICAL ADVISORY SERVICE

For free expert guidance on use of this product, or any aspect of tiling, contact the BAL TECHNICAL ADVISORY AND SPECIFICATION SERVICE on Tel: 01782 591120 or 0845 600 1 222 or Fax: 01782 591121.

6 YEAR GUARANTEE

Since 1990, GUTJAHR has been the only manufacturer to offer extended warranties for its drainage systems, e.g. 6 years for balconies, patios and outdoor steps with AquaDrain® drainage.

No liability can be accepted for any loss or damage arising from incorrect use of products or poor workmanship, over which BAL has no control. *Contact BAL Marketing Department for full details.*

CONDITIONS OF SALE

Sold subject to the Company's Conditions of Sale. *Available on request. For sales and technical queries, contact:*

BUILDING ADHESIVES LTD

Longton Road, Trentham, Stoke-on-Trent, ST4 8JB,

England www.bal-adhesives.com

Sales Tel: +44 (0) 1782 591160

Fax: +44 (0) 1782 591131

Technical Tel: +44 (0) 1782 591120 or +44 (0) 845 600 1 222

Fax: +44 (0) 1782 591121

Unit 622, Phase III

Northwest Business Park

Ballycoolin, Dublin 15, Ireland

Tel: +353 (0) 1 880 9210

Fax: +353 (0) 1 880 9211

NOTE: BAL reserves the right to update instructions, technical data and other information at any time without notice.